

# SOFT START FOR TRANSFORMERS

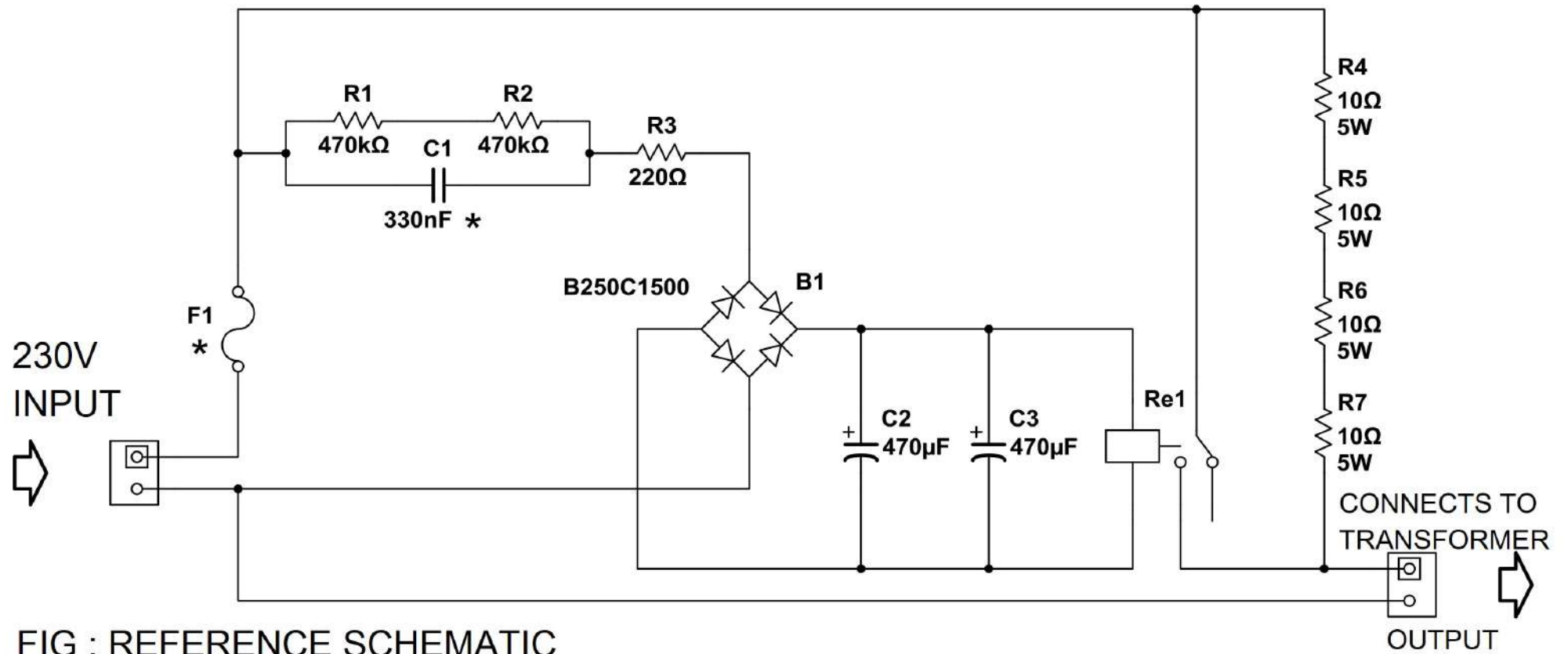
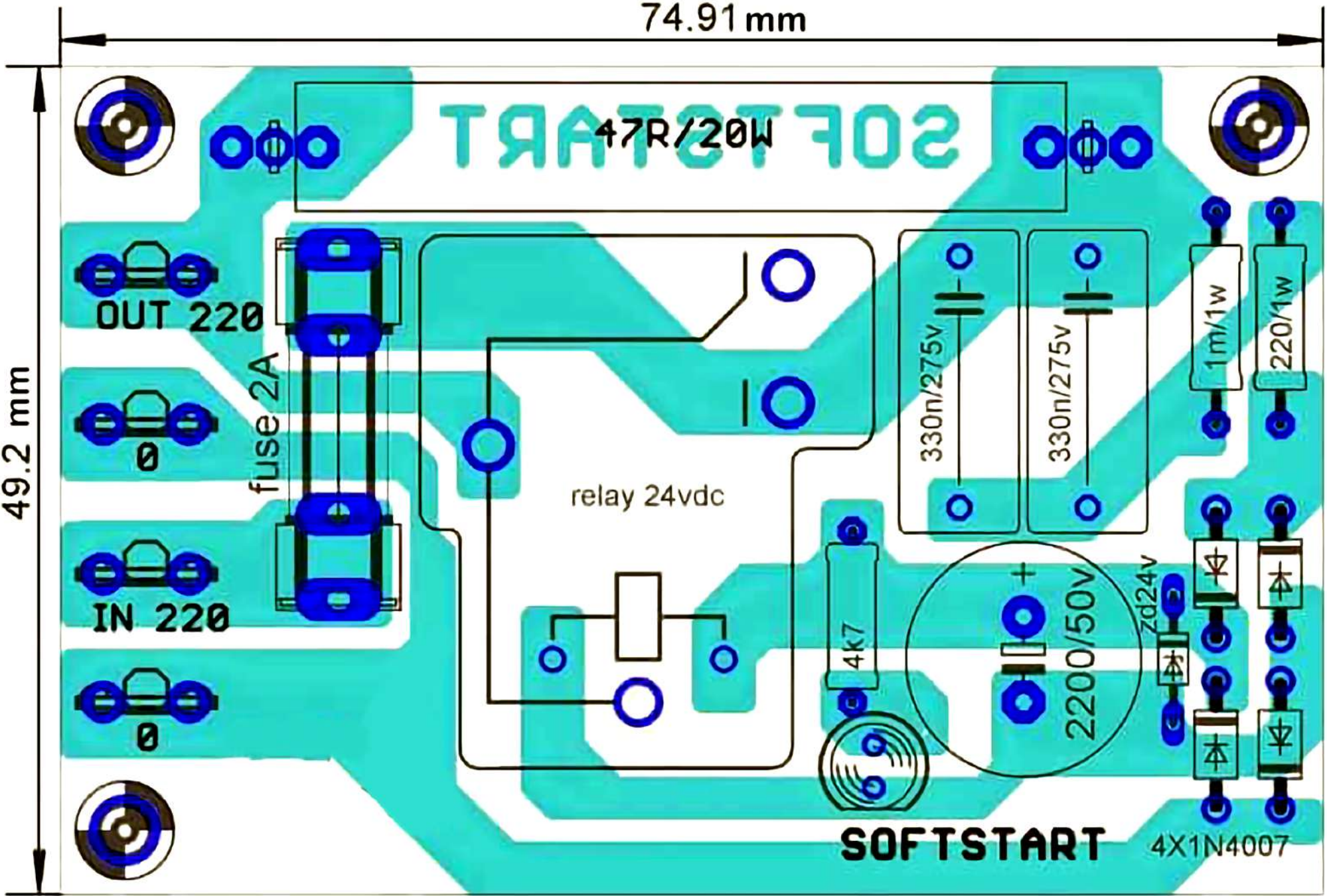


FIG : REFERENCE SCHEMATIC

74.91 mm

49.2 mm



SOFTSTART 47R/20W

OUT 220

fuse 2A

IN 220

relay 24vdc

330n/275v

330n/275v

1m/1w

220/1w

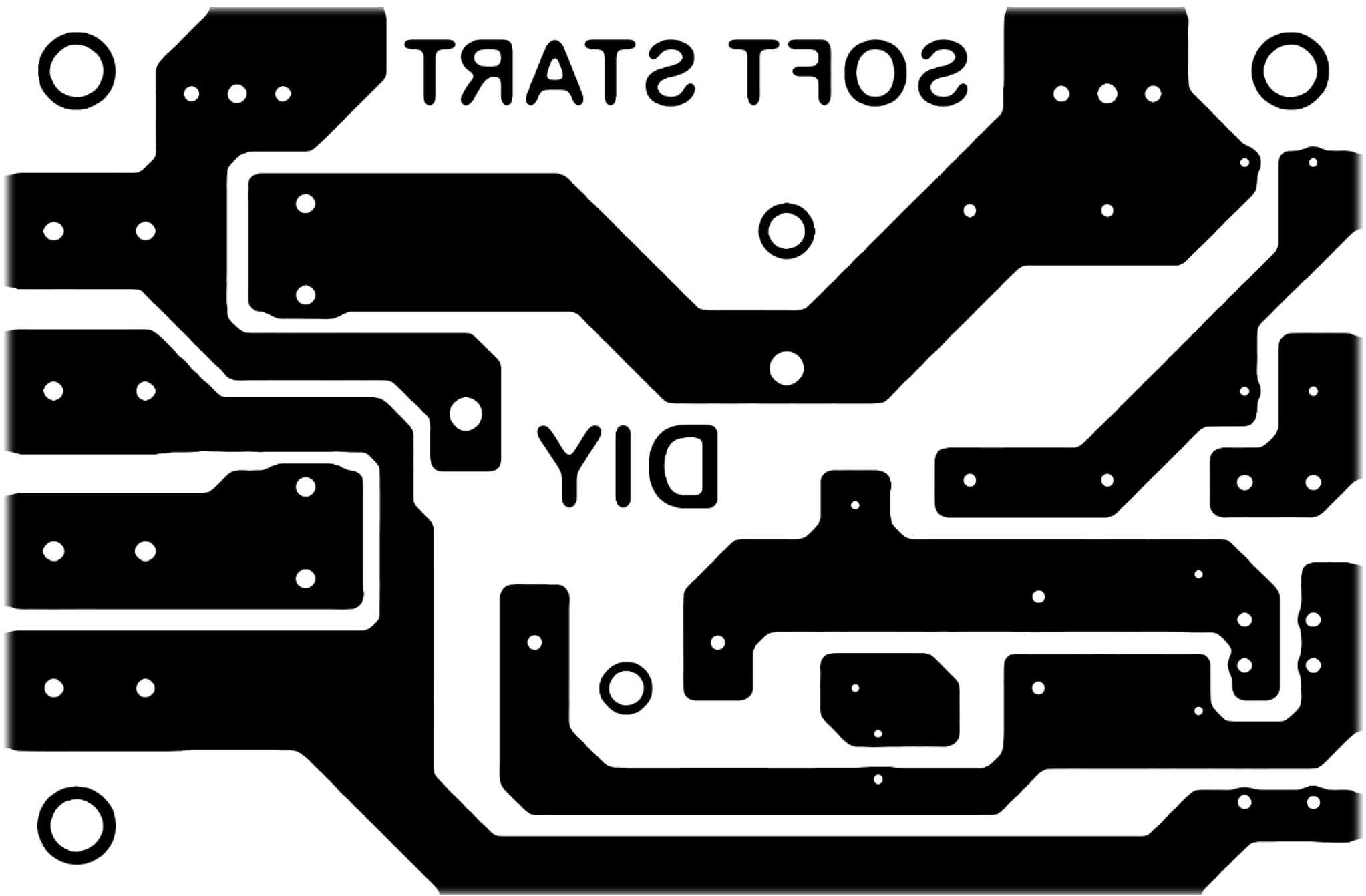
2200/50V

4k7

Zd24V

SOFTSTART

4X1N4007



SOFT START

DIY